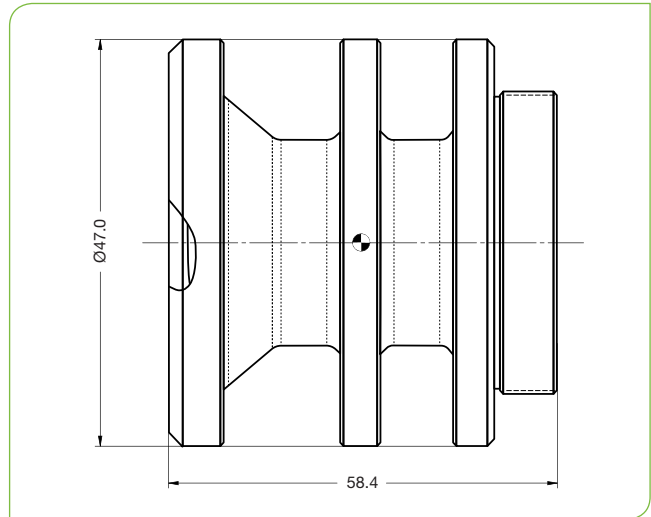


# SupIR 6.5mm f/1.0, Fixed Athermalized 680423\*

TYPICAL ICD\*

**HD**  
FORMAT



LWIR | 1-FOV

HFOV	320x240	384x288	640x480	1024x768
17μ	45.6°	53.8°	82°	
12μ	32.9°	39.1°	61.8°	90°
10μ	27.6°	32.9°	52.9°	78.2°

Property	Value				
<b>Optical</b>					
Focal Length	6.5mm				
F#	1.0				
Average transmission (8-12μm)	90% (HD)				
Back Focal Length	12.89mm in air				
<b>Mechanical</b>					
Focus Mechanism	Fixed				
Depth of Field	1.6m to infinity				
Focus Range	0.8m to infinity				
Weight	132gr				
Max. Dimensions	Ø47.0mm x 58.4mm				
<b>Environmental</b>					
Operation Temperature	-40°C to +80°C				
Storage Temperature	-40°C to +80°C				
Sealing	IP 67 front element only				
<b>Configurations</b>	<b>Weight (gr)</b>	<b>Dimensions</b>	<b>BWD**</b>	<b>Thread</b>	<b>Coating</b>
680423-002	132	Ø47.0mm x 58.4mm	9.3	M36x0.5	HD

\* Requires export license

\* The ICD drawing provided here is primarily a representation and may not accurately reflect the product's actual dimensions and specifications. For precise integration specifications contact your local sales representative.

\*\* The BWD value is calculated for a unique detector setup with varying sealing windows in terms of thickness and material. For more details, contact your local sales representative.